



Hytrol Catalog

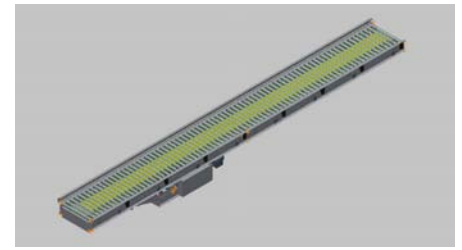


ABEZ

Accumulating Live Roller Conveyor

The model ABEZ is a horizontal belt-driven live roller conveyor, designed for applications that require accumulation of products without a build-up of line pressure. Product may be released in singulation or slug fashion.

- EZLogic® Accumulation System
- Singulation, Slug, or Cascaded Slug Operation
- Dynamic Zone Allocation
- 4 Brake Rollers in Each Zone
- Adjustable MS-Type Floor Supports Available



Conveyor shown in Standard Gray.

[OTHER STANDARD COLORS](#)

[LEARN MORE](#)

[TECHNICAL MANUAL](#)

Between Rail Width	15"	21"	27"	33"	39"
Overall Frame Width	18"	24"	30"	36"	42"
Base Weight	670	739	808	877	946
Weight Per Foot (lbs.)	31	37	43	49	55

All weights in catalog are conveyor weights only. Accessories, crating, etc., are not included.

Note: Bed sections available in the following multiples:

12" Zones 1', 2', 3', 4', 5', 6', 7', 8', 9', and 10'

18" Zones 1 1/2', 3', 4 1/2', 6', 7 1/2', and 9'

24" Zones 2', 4', 6', 8', and 10'

30" Zones 2 1/2', 5', 7 1/2', and 10'

36" Zones 3', 6', and 9'

48" Zones 4' and 8'

60" Zones 5' and 10'

72" Zones 6'

84" Zones 7'

96" Zones 8'

120" Zones 10'

Overall length must be divisible by zone length.

Total Weight = 10 ft. base weight + Per foot weight x Extra length

EZLOGIC® ACCUMULATION SYSTEM

Hytrol's EZLogic®, or Electronic Zero-Pressure Logic Accumulation System, combines the sensing accuracy of photo-electronics with discrete electronic logic control without the use of a PLC or pneumatic logic components. The EZLogic® Accumulation System provides many features including:

Zero-Pressure Accumulation of Product

Zone Stop function is built in. Any zone may be transformed into a workstation by connecting a dry contact switching device to the auxiliary port of the EZLogic® Zone Controller. This feature is always used at the discharge end of the conveyor line, and may be used at any other location where a zone stop is required.

Selectable Modes of Operation

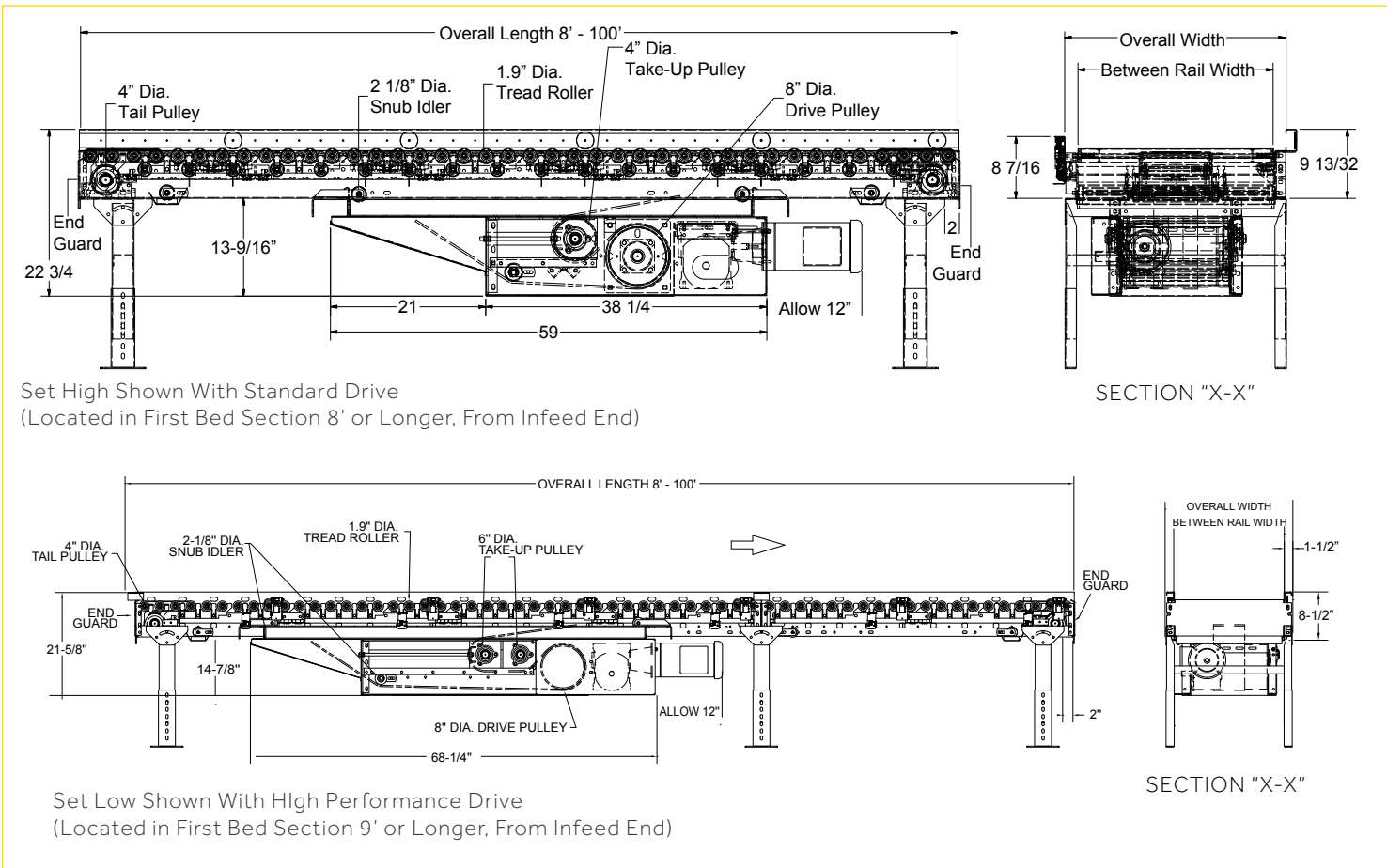
Singulation Mode – Product separates while traveling down the conveyor and when it is released from the conveyor, creating a zone-length gap between products.

Enhanced Slug Mode w/ Jam Protection – Product does not separate when traveling down the conveyor or when it is released from the conveyor. This allows higher product throughput at any given conveyor speed. Product will not separate on the conveyor even when accumulation has been activated at the discharge end.

Cascaded Slug Release – Rather than releasing all zones simultaneously, this function introduces a momentary delay in the release of each zone, from discharge upstream.

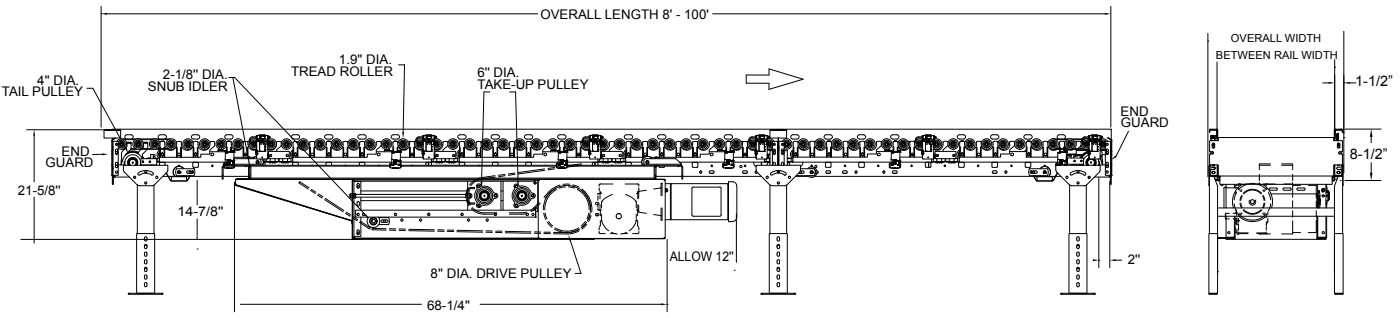
Dynamic Zone Allocation – Automatically adjusts the conveyor's zone length to accommodate the length of the product being conveyed. Improves conveyor efficiency and system flexibility.

ABEZ



Set High Shown With Standard Drive
(Located in First Bed Section 8' or Longer, From Infeed End)

SECTION "X-X"



Set Low Shown With High Performance Drive
(Located in First Bed Section 9' or Longer, From Infeed End)

SECTION "X-X"

Load Capacity Chart (Singulated) @ 65FPM						
HP	Overall Frame Width 18"		Overall Frame Width 24" to 30"		Overall Frame Width 36" to 42"	
	Total Load (lbs./ft.)		Total Load (lbs./ft.)		Total Load (lbs./ft.)	
	Up to 50'	Up to 100'	Up to 50'	Up to 100'	Up to 50'	Up to 100'
1/2	50	10	40	2	25	N/A
1	75	50	75	40	75	25
2	75	75	75	75	75	75
3	75	75	75	75	75	75

High Performance Drive Load Capacity Chart (Singulated) @ 65FPM						
HP	Overall Frame Width 18"		Overall Frame Width 24" to 30"		Overall Frame Width 36" to 42"	
	Total Load (lbs./ft.)		Total Load (lbs./ft.)		Total Load (lbs./ft.)	
	Up to 200'	Up to 300'	Up to 200'	Up to 300'	Up to 200'	Up to 300'
1	10	N/A	1	N/A	N/A	N/A
2	66	35	56	25	42	10
3	75	55	75	45	73	30
5	75	N/A	75	N/A	75	N/A

Above load charts are based on singulated operational mode (50 percent max load flowing). If operated in cascade release mode, the length or load must be decreased appropriately. Example: For full slug: reduce load by 50 percent or reduce length by 50 percent. For cascade release: reduce length by approximately 40 percent or reduce load by approximately 40 percent. For loads over 75 lbs per ft, 140-SD belt is required.